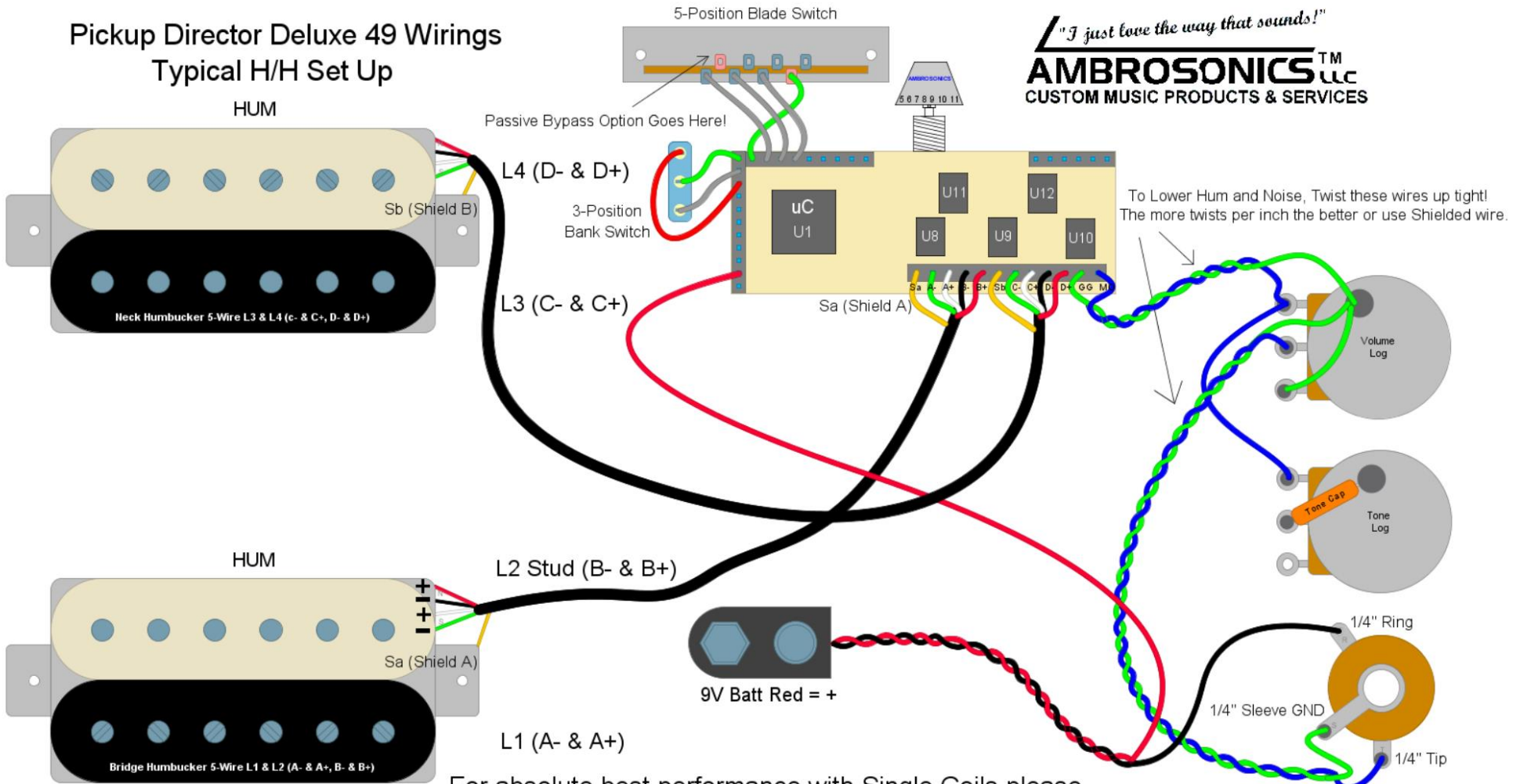


Pickup Director Deluxe 49 Wirings Typical H/H Set Up



"I just love the way that sounds!"
AMBROSONICS™ LLC
 CUSTOM MUSIC PRODUCTS & SERVICES

For absolute best performance with Single Coils please use 2-Conductor + a Shield wire with one end of the braided Shield connected to Sa (Shield a) or Sb (Shield b) at the Pickup Director PCB and left open at the Pickup end.