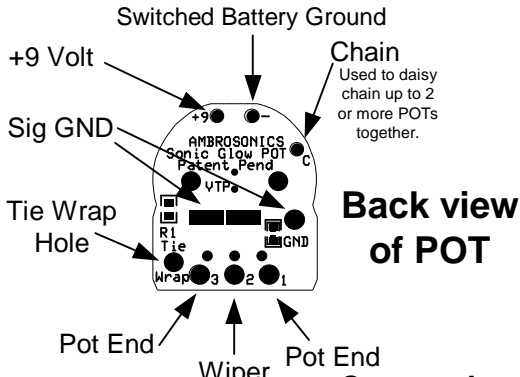


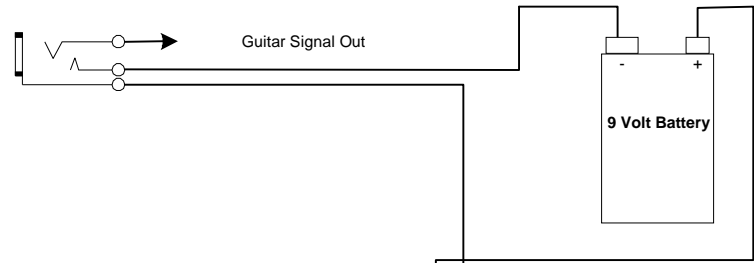
Connection for One Sonic Glow POT

Rev. None

Sonic Glow POT Terminal Definitions

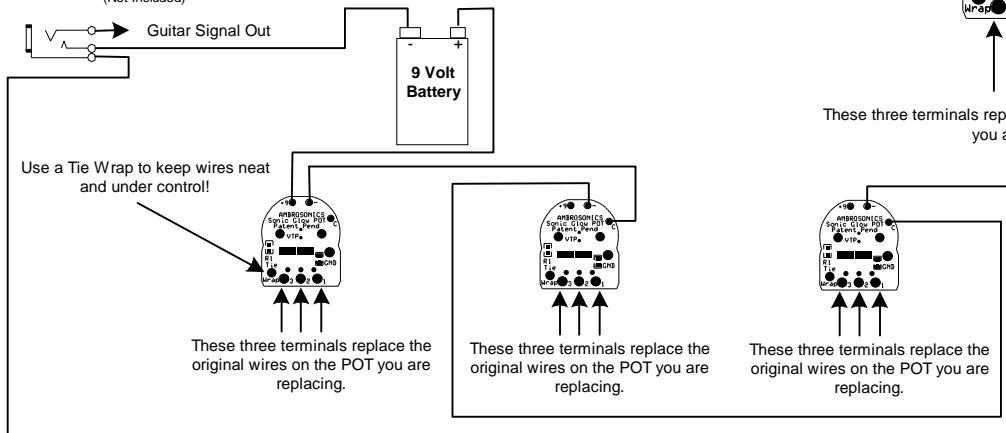


Tip, Ring and Sleeve Jack
 (Not Included)



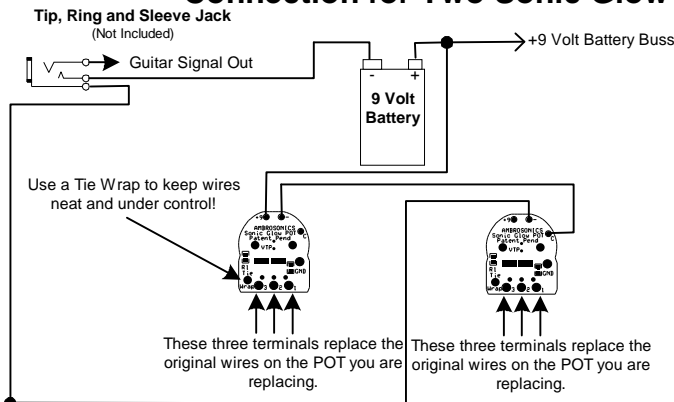
Use a Tie Wrap to keep wires neat and under control!

Connection for Three Sonic Glow POTs



These three terminals replace the original wires on the POT you are replacing.

Connection for Two Sonic Glow POTs



Two Added connections required only for using (4) POTs

Connection for Four Sonic Glow POTs

