

MT-16 Multi-Tonal Pickup Switch

US Patents 7,601,908 & 7,115,810

Connections for HSS as 4 Single Coil Pickups, 15 Sounds

Connections for HH as 4 Single Coil Pickups, 15 Sounds

MT-16 Switch Rev. A
 4/14/2026

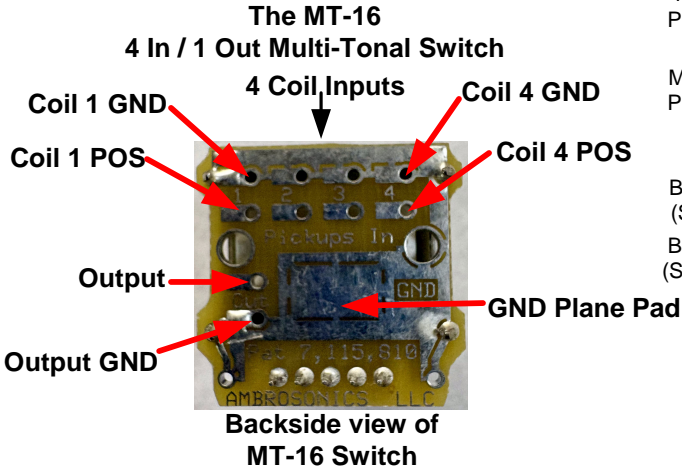
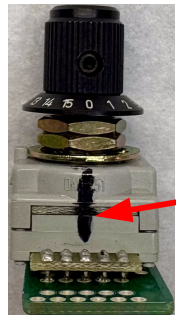
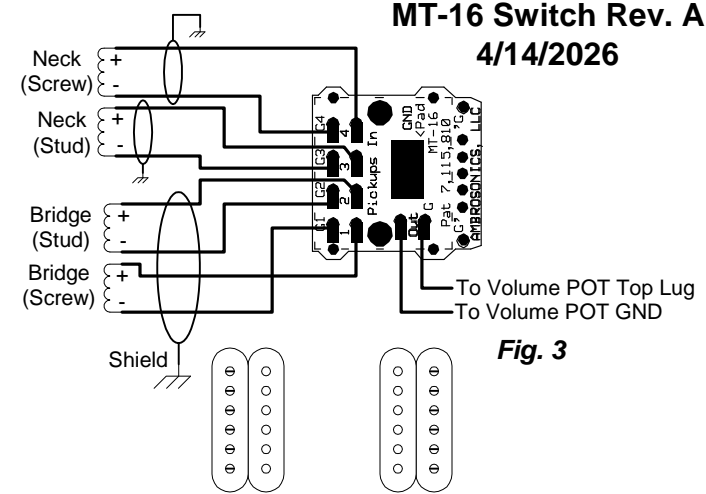
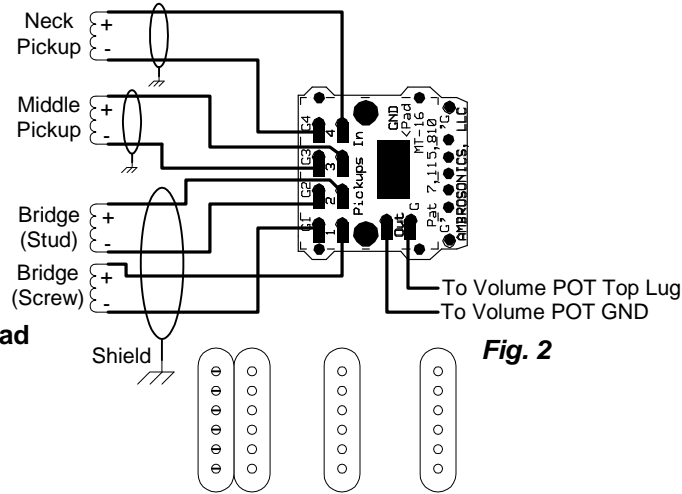


Fig. 1

Best of both worlds, check out the MT-16 as the "Sweet Sixteen" (Fig. 4)

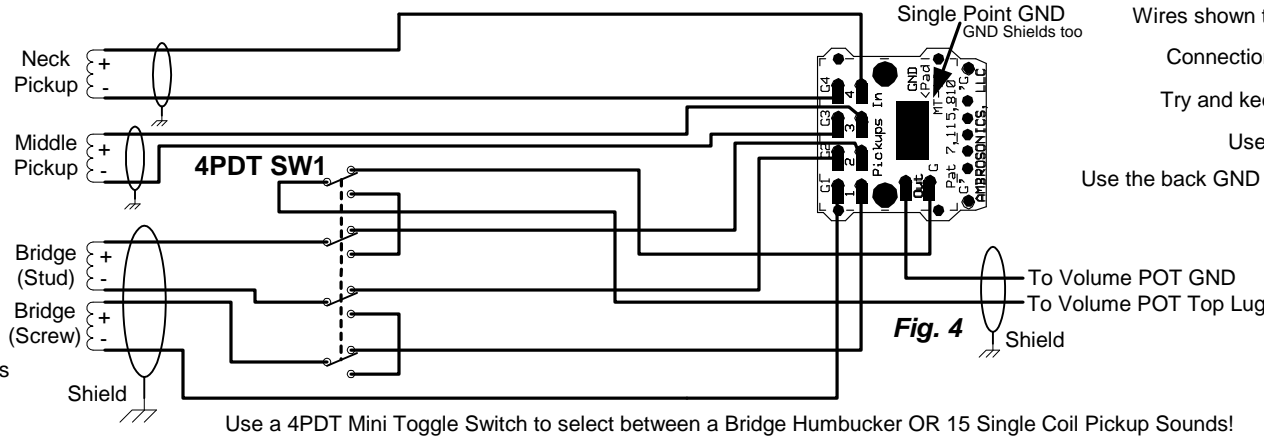
16 Very Cool Sounds for HSS and HH with 15 Single Coil Sounds Plus an Instant Bridge Humbucker Sound!



4PDT SW1

Shown UP = 15 Single Coil Sounds

Down = Bridge Humbucker Sound



NOTES:

- Wires shown that cross each other are NOT Connections.
- Connections will be shown with a DOT on the wire.
- Try and keep connecting wires as short as possible.
- Use shielded wire whenever possible.
- Use the back GND surface of the MT-16 as a single point Ground.

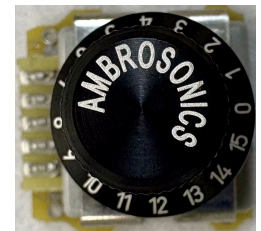


Fig. 5 Full Passive Combinations of 15 True Single Coil In Phase Sounds using Humbuckers as Single Coils

Switch Positions		Switch Position Numbers	0	1	2	3	4	5	6	7	8	9	10	11	12	13	14	15
Neck Humbucker (Screw) 1	=	OFF	●	●				●	●			●	●			●	●	
Neck Humbucker (Stud) 2	=	OFF		●	●	●	●						●	●	●	●		
Bridge Humbucker (Stud) 3	=	OFF					●	●	●	●	●	●	●	●				
Bridge Humbucker (Screw) 4	=	OFF									●	●	●	●	●	●	●	●

Note: ● = Pickup is ON