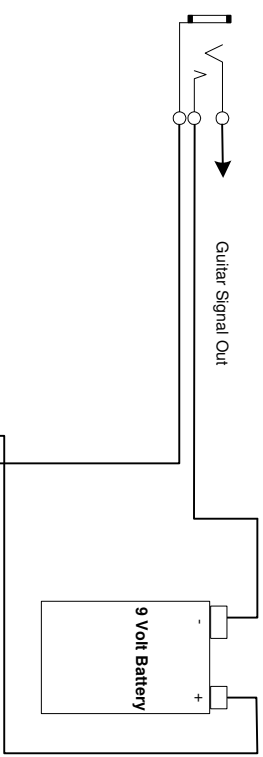


Connection for One Sonic Glow POT

Rev. None

Tip, Ring and Sleeve Jack
 (Not Included)

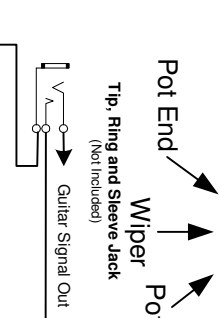


Switched Battery Ground

+9 Volt
 Sig GND
 Tie Wrap
 Hole
 Chain
 Used to daisy chain up to 2 or more POTs together.

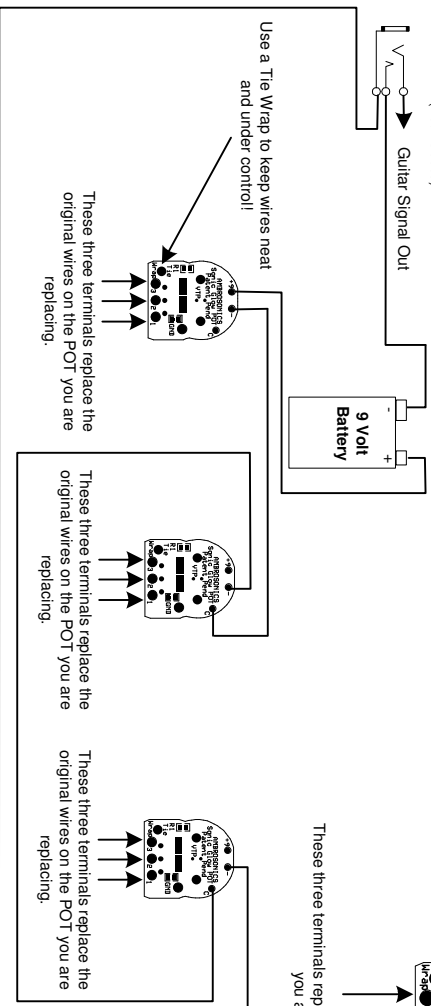
Back view of POT

Use a Tie Wrap to keep wires neat and under control!



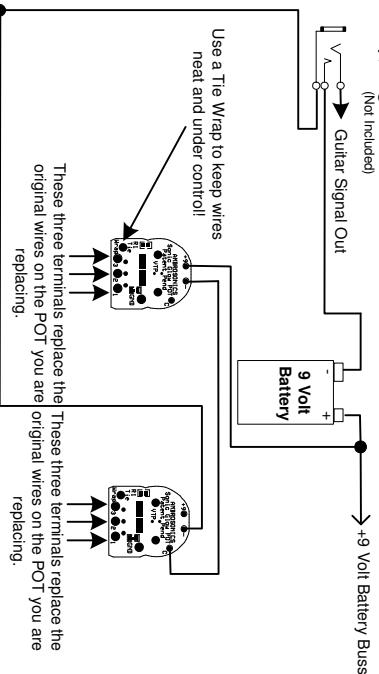
Connection for Three Sonic Glow POTs

These three terminals replace the original wires on the POT you are replacing.



Connection for Two Sonic Glow POTs

Tip, Ring and Sleeve Jack
 (Not Included)



Two Added connections required only for using (4) POTs

Connection for Four Sonic Glow POTs

To +9 Volt Battery Buss

