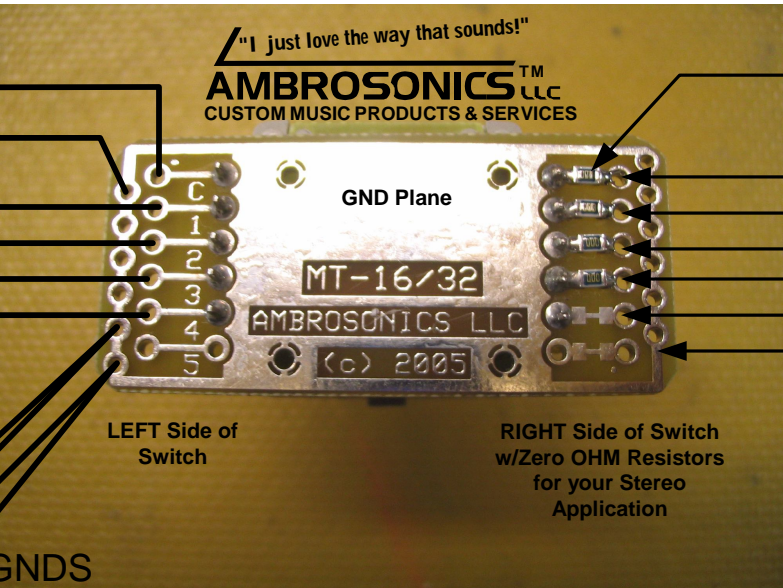
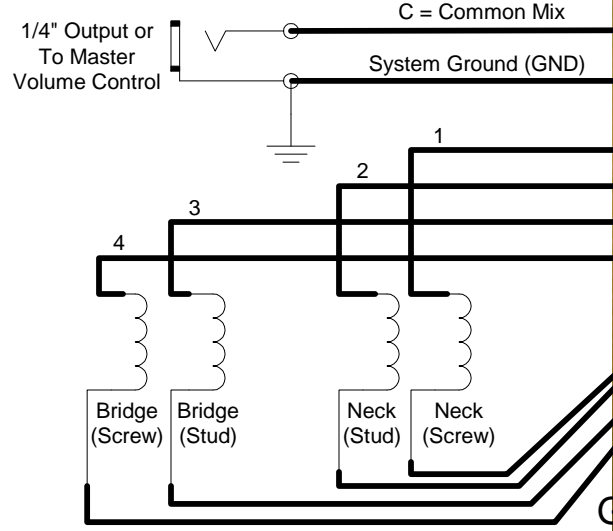


"I just love the way that sounds!"

AMBROSONICS™
CUSTOM MUSIC PRODUCTS & SERVICES

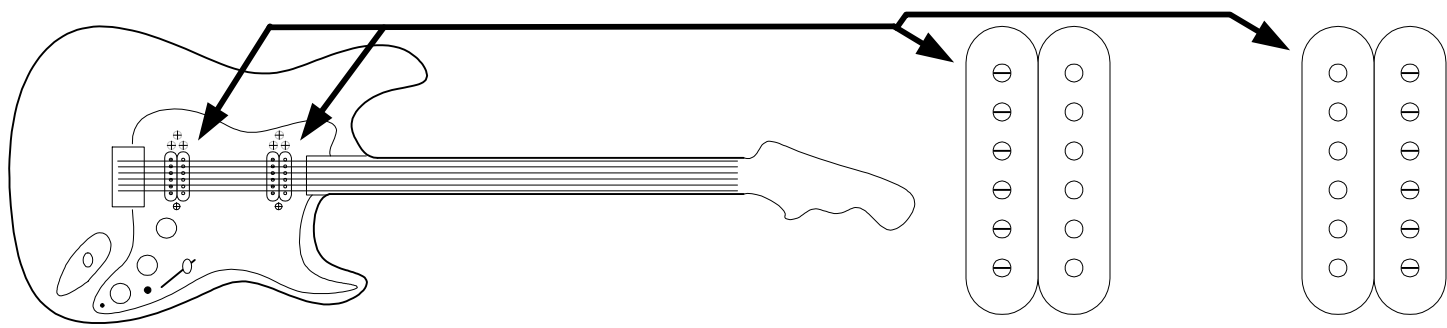
Very Cool Single Coil Selector and LED Pickup Indicator Control!



US Patent 7,601,908
0 Ohm Resistors replace 680 Ohm resistors normally used to source LED lighting

NOTE: This side of switch is Asymmetrical to Left Side as follows:

- 4
- 3
- 2
- 1
- C = Common Mix Out
- GND



Position "0" = All Pickups Off; See arrow marking



One Switch Provides the switch closures shown in the chart below X 2! (Left side & Right side of switch)

Full Combinations of 15 True Single Coil In Phase Sounds using Humbuckers as Single Coils **US Patent 7,601,908**

Switch Positions		Switch Position Numbers	0	1	2	3	4	5	6	7	8	9	10	11	12	13	14	15
Neck Humbucker (Screw) 1	=	OFF	●	●			●	●			●	●			●	●		
Neck Humbucker (Stud) 2	=	OFF		●	●	●	●						●	●	●	●		
Bridge Humbucker (Stud) 3	=	OFF				●	●	●	●	●	●	●	●					
Bridge Humbucker (Screw) 4	=	OFF									●	●	●	●	●	●	●	●

Note: ● = Pickup is ON

